

X20	Current part is item (3) on diagram. Available at www.oshkoshequipment.com	SLIDE, FRONT DOOR STOP 11658240 (19207)	EA	2	*	*	*	*	*	*			117	26
PO	2510-221-8913	WEATHERSTRIP, FRONT DOOR 11662746 (19207)	EA	2	*	*	*	*	*	*			118	1
PO		SCREW, MACHINE, DOOR HANDLE 172044 (24617)	EA	4	*	*	*	*	*	*			118	2
PO	2540-917-5903	HANDLE, FRONT DOOR, OUTSIDE 7410715 (19207)	EA	2	*	*	*	*	*	*			118	3
PO	2510-411-8313	GLASS, DOOR 11658535 (19207)	EA	2	*	*	*	*	*	*			118	4
PO		TAPE, GLASS 11658072 (19207)	EA	2	*	*	*	*	*	*			118	5
PO	5340-158-0095	RETAINER, REGULATOR ARM AND CHANNEL 11662604 (19207)	EA	4	*	*	*	*	*	*			118	6
X20		CHANNEL ASSEMBLY, LIFT L.H. 11658564-1(19207)	EA	1	*	*	*	*	*	*			118	7

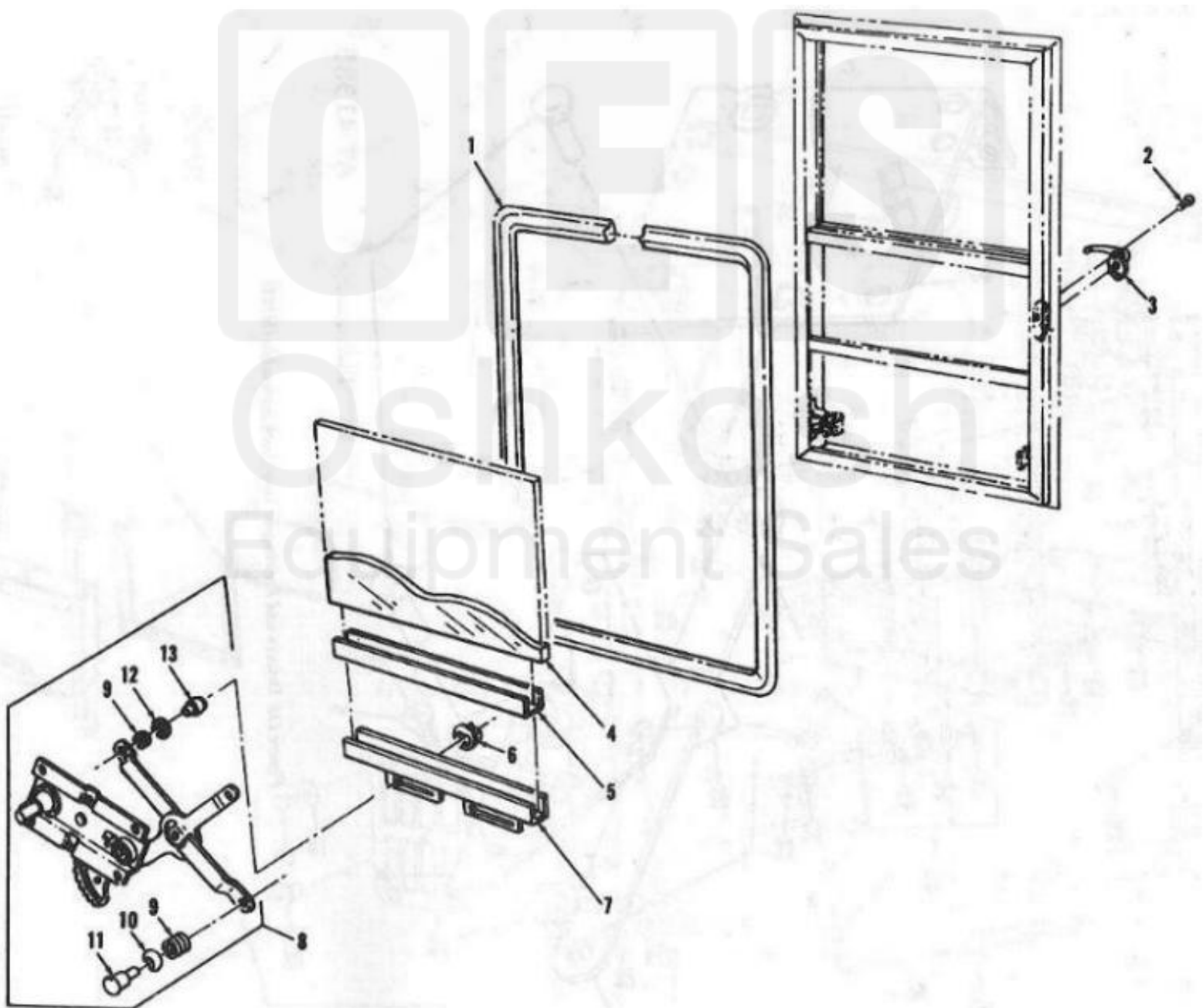


Figure 118: Drivers and Passengers Door Regulator, Window and Related Parts (M725)

Current part is item (3) on diagram. Available at www.oshkoshequipment.com